

ANTHROPOLOGIE

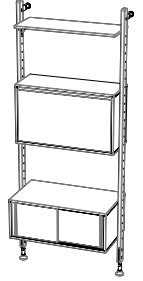
Kalmar Bookshelf Assembly Instructions

Do not throw away packing materials and carton until after assembly.
Assemble all parts on a clean smooth surface

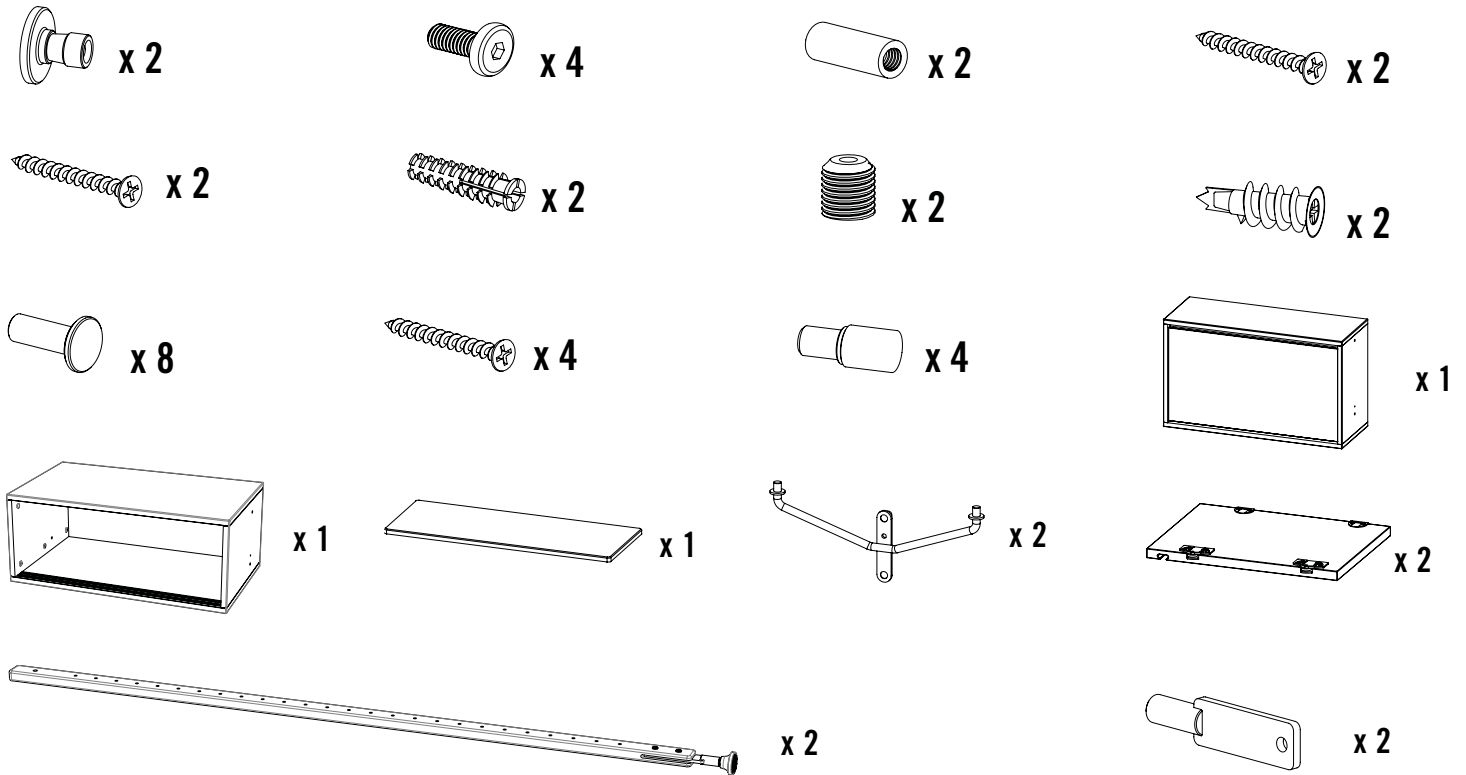
Care Instructions:

This piece of furniture is made from solid wood and metal. Over time it will develop a natural red-orange patina on top of the metal parts, which is desired. It is recommended to re-wax all parts at least once a year to prevent the acceleration of the patina process.

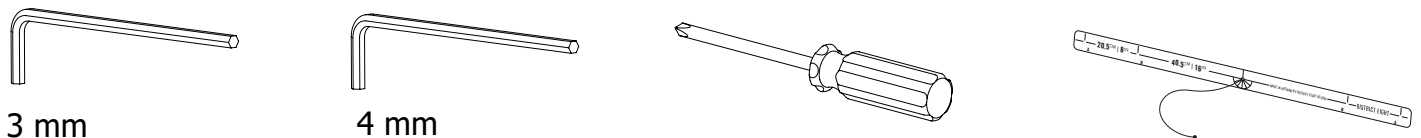
The wooden parts can be cleaned with pledge or any other wax-based furniture polish. To re-wax this furniture, apply a thin even layer of furniture paste wax on to the surface using a so lint free cloth or rag. You will need to contact your local hardware store to get the correct hardware for your wall-type.



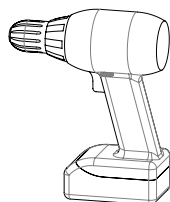
Parts Included:



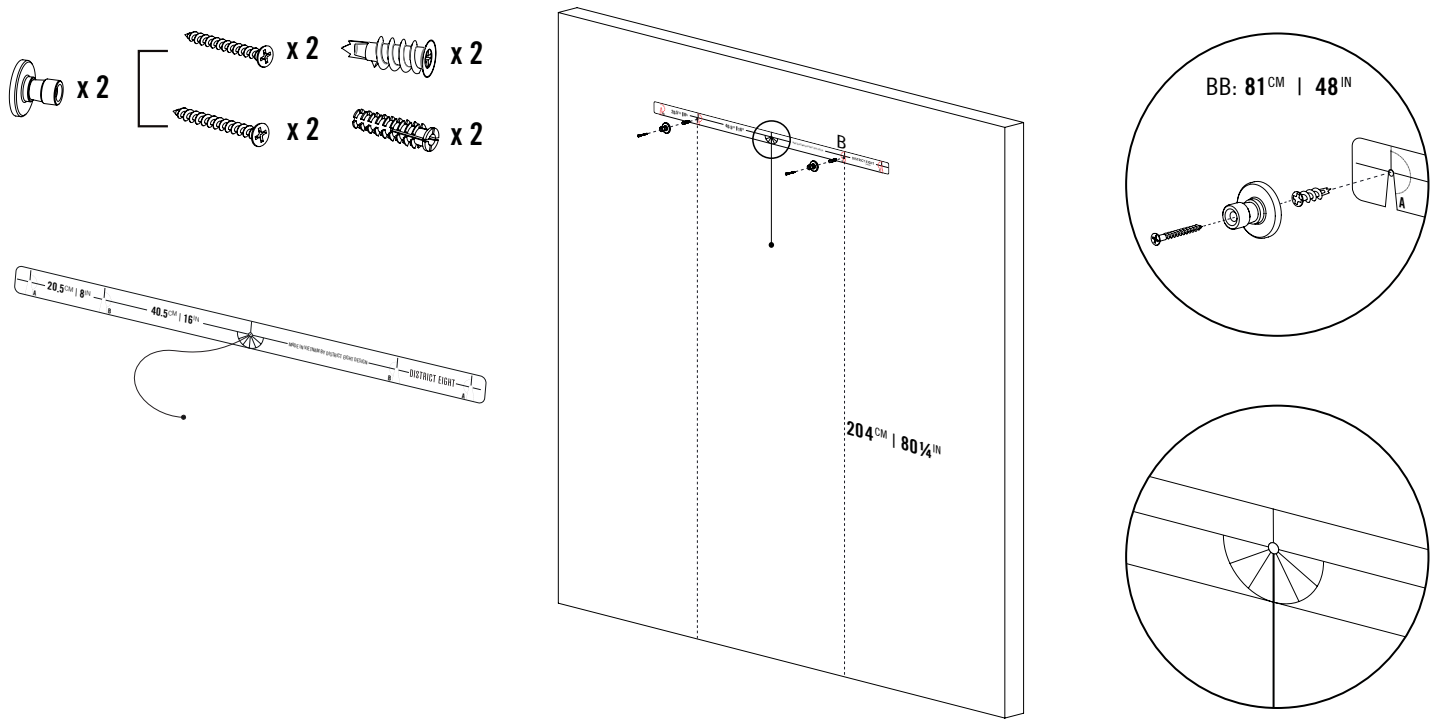
Tools Needed:



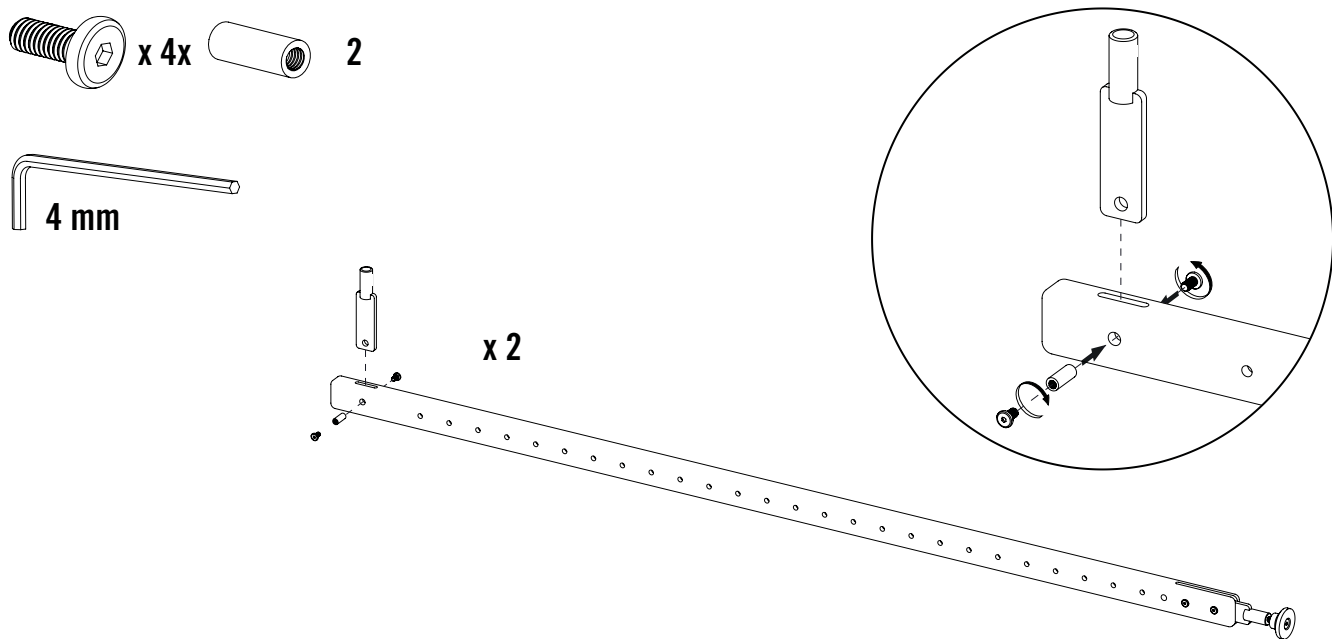
Recommended Tools:



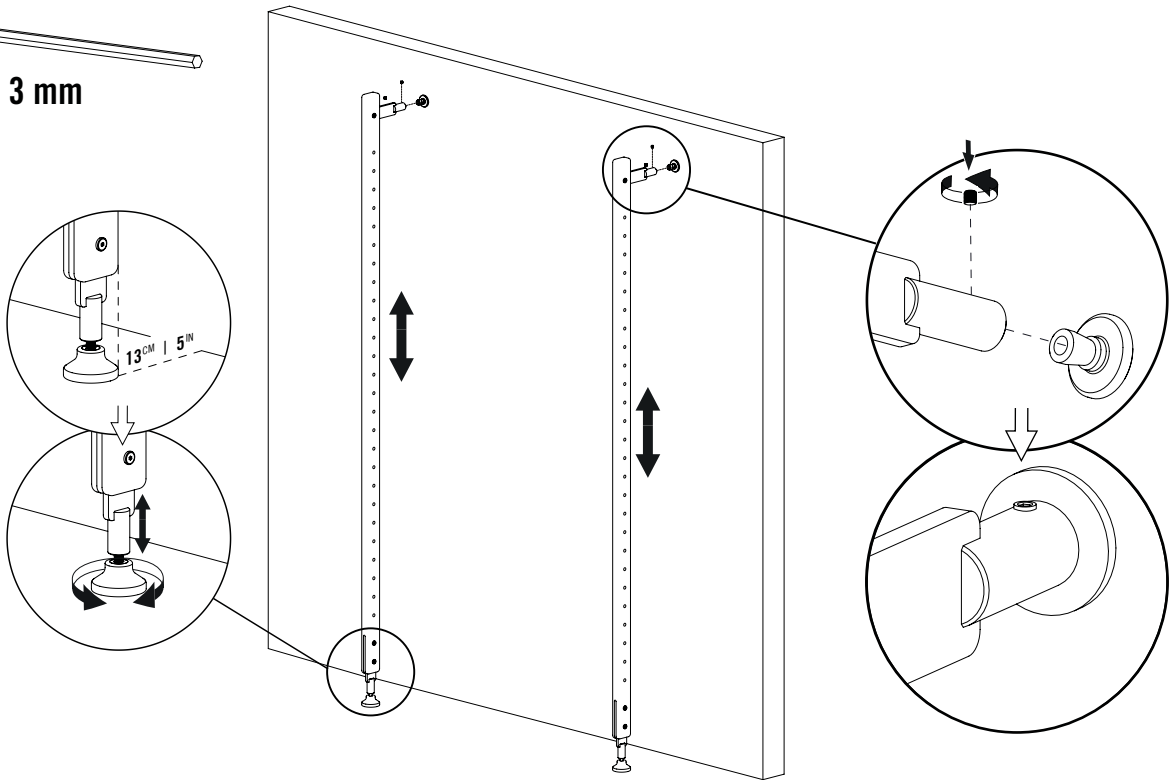
1.



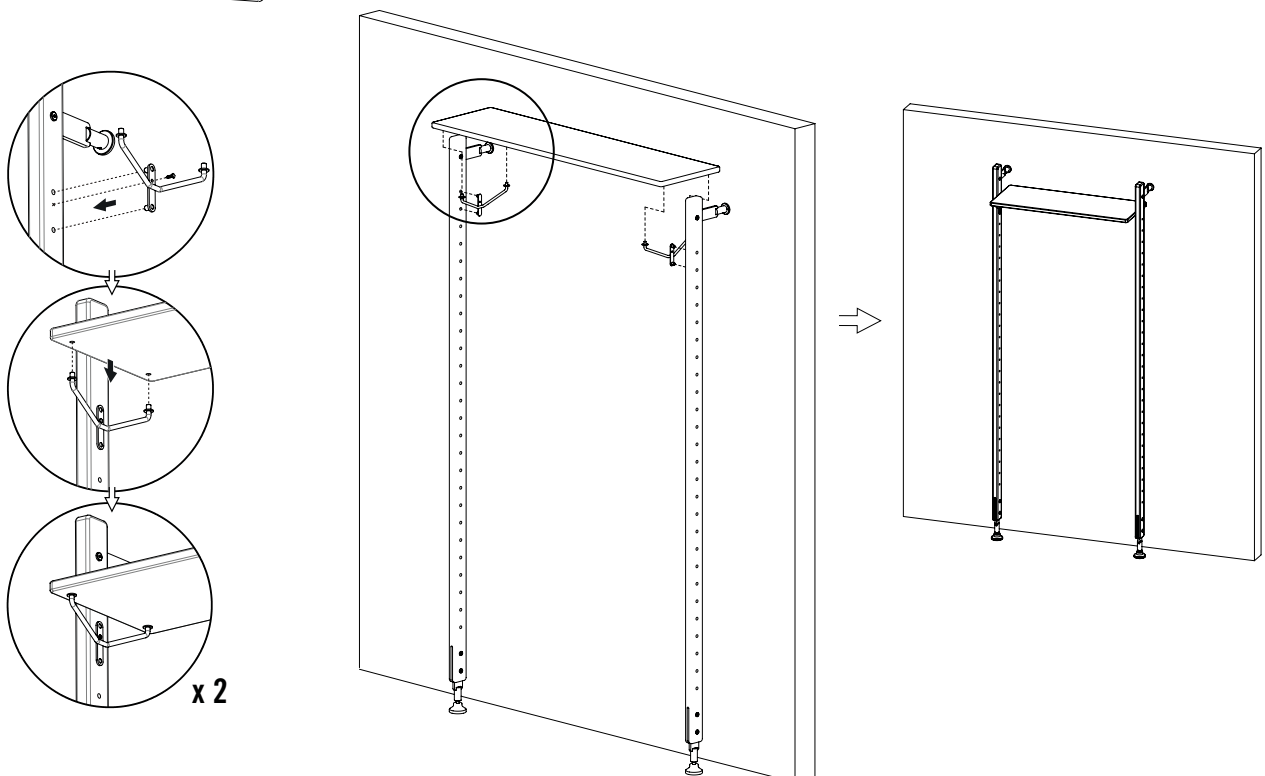
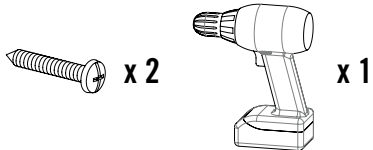
2.



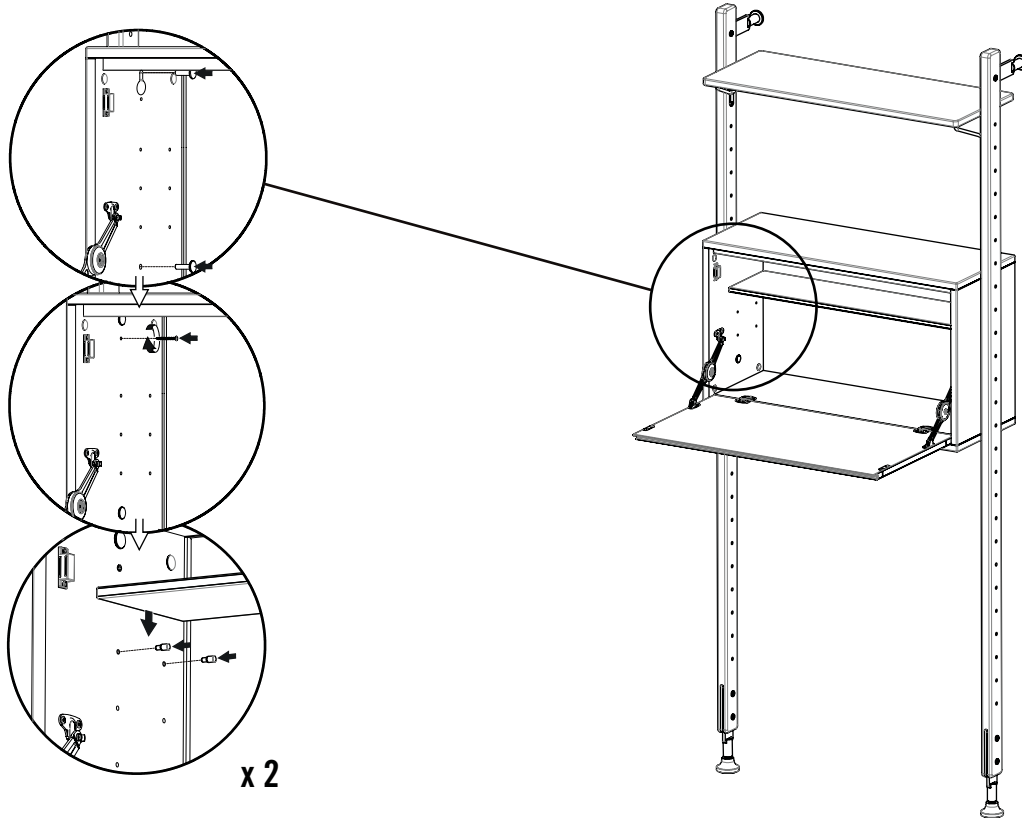
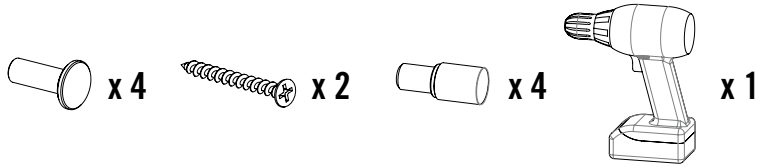
3.



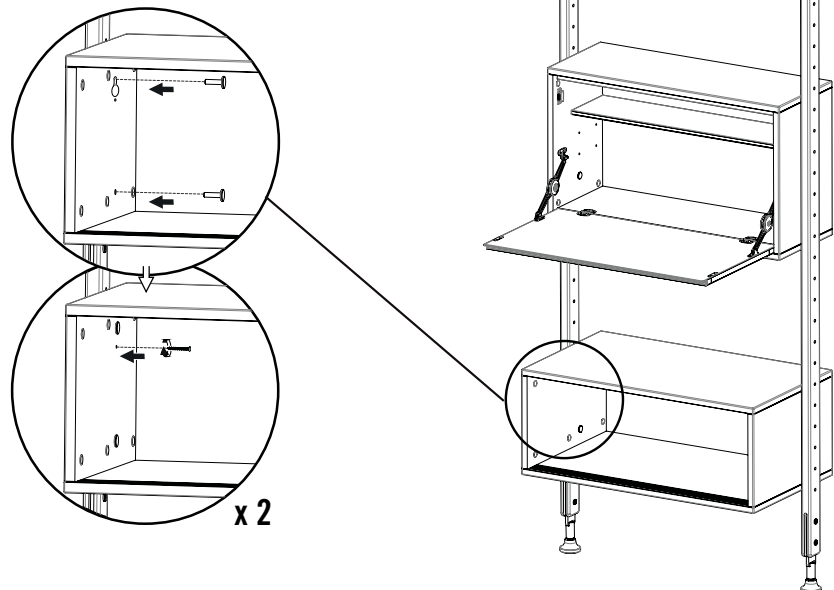
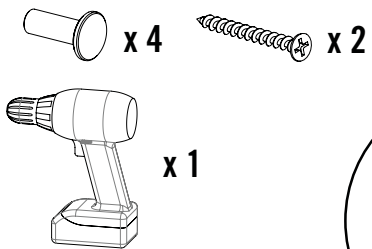
4.



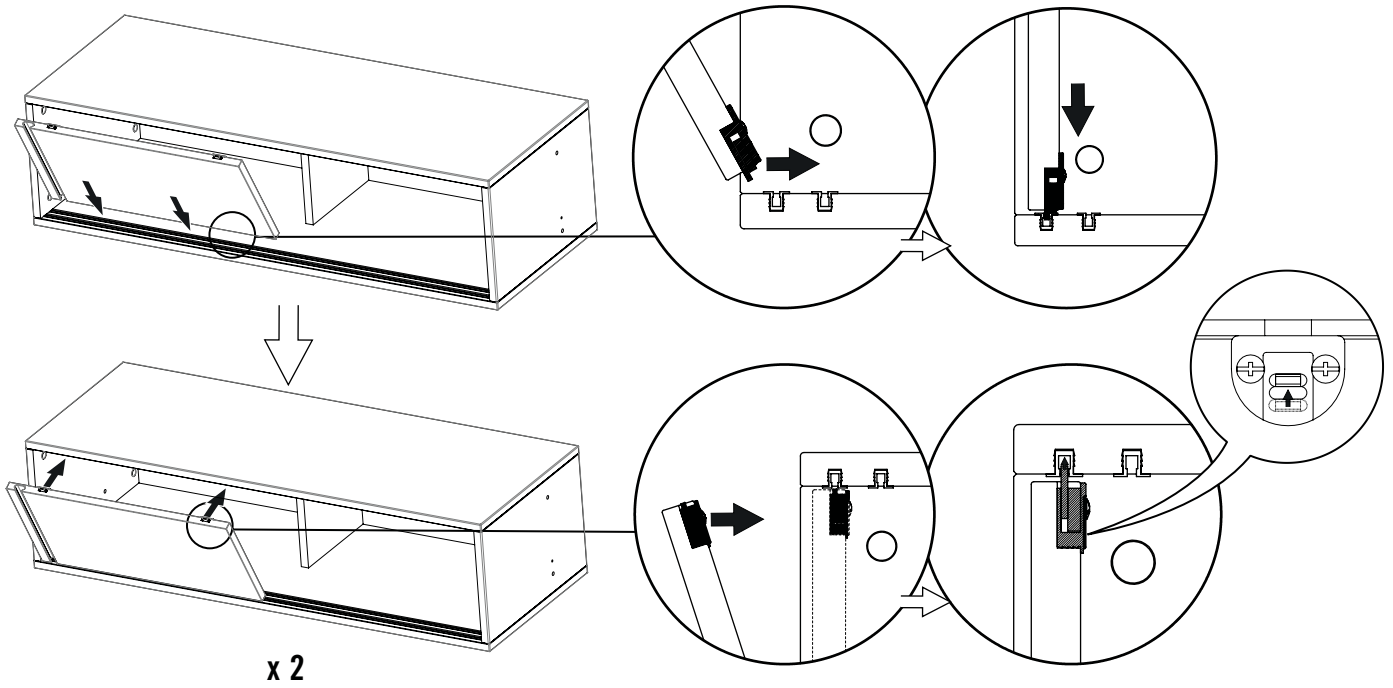
5.



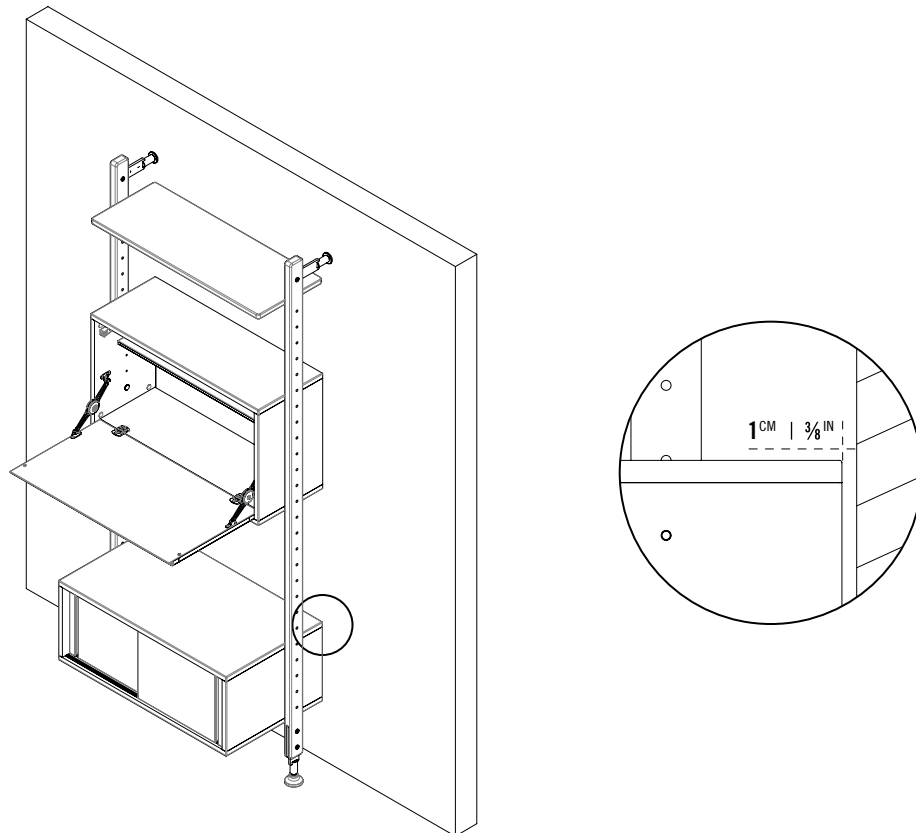
6.



7.



8.



9.

