

# ANTHROPOLOGIE

# Eloquent Powder Vanity

## Assembly Instructions

Do not throw away packing materials and carton until after assembly.

Assemble all parts on a clean smooth surface

Care Instructions:

Avoid direct exposure to sunlight. Do not place over heat or Air conditioning vents.

Adjust levelers so that the furniture sits flat on uneven floors.

Blot spills do not rub, with a clean white cloth.

Do not use harsh chemicals.

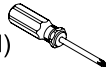
Before cleaning any part test a small spot in a hidden area.

You will need to Seek the help of a Professional Plumber for complete installation.



## TOOLS NEEDED

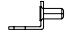






- Phillips Screwdriver (Not provided)



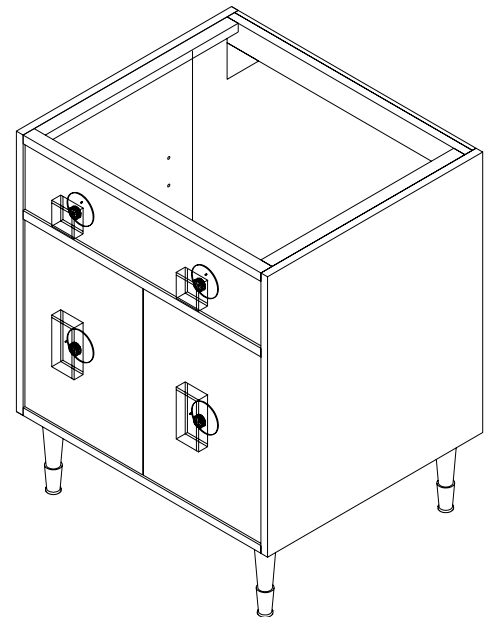
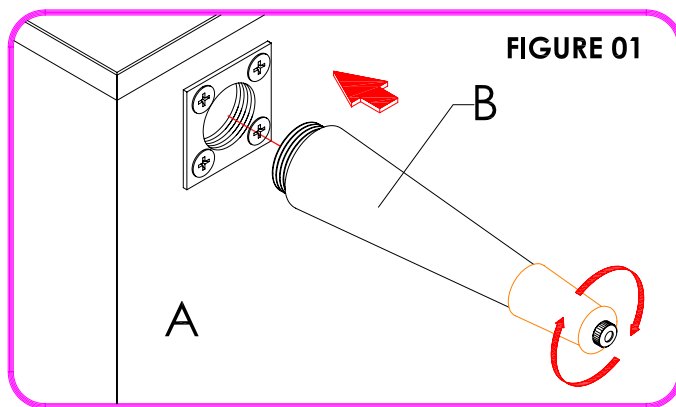
## PART LIST

- A. [1] VANITY
- B. [4] LEGS
- C. [1] SHELF PANEL
- D. [1] MARBLE TOP
- E. [1] MARBLE PLATE
- F. [1] SINK

## HARDWARE LIST

NO	DESCRIPTION	QTY
1	 SHELF HOLDER	4
2	 PHILLIPS SCREW	4
3	 ALLEN HEAD BOLT	4
4	 LOCK WASHER	4
5	 FLAT WASHER	4
6	 ALLEN WRENCH	1
7	 "L" METAL	4

1. Remove all shelves from inside the vanity. With help lay the vanity over onto a clean smooth surface. Align legs as shown below. With help stand the vanity upright without leaning it on the legs as this can damage them.

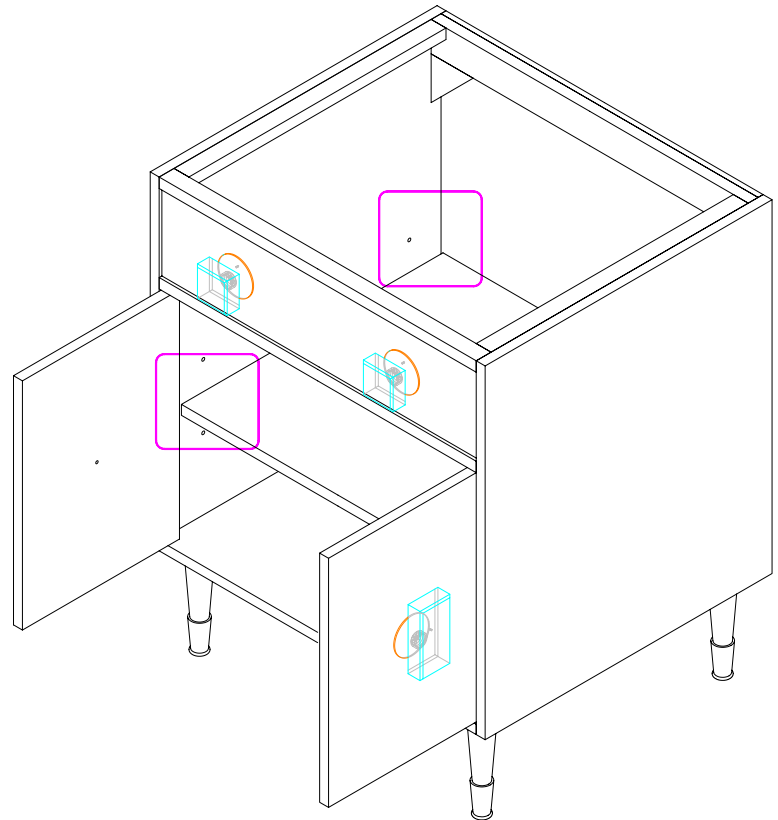
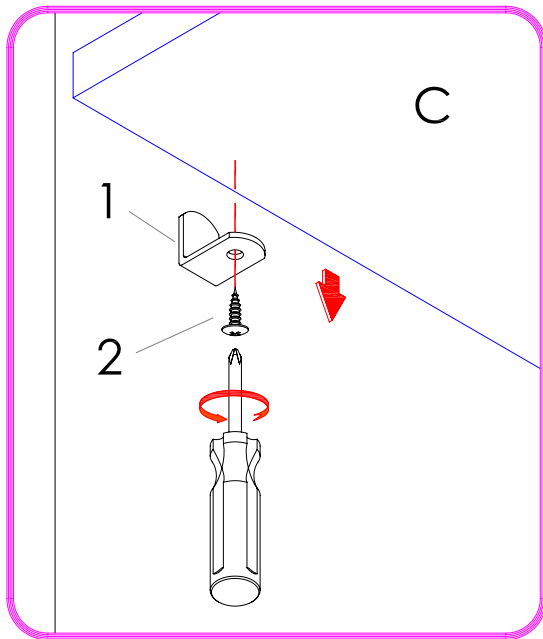


EXCLUSIVE AND CONFIDENTIAL PROPERTY OF URBAN OUTFITTERS, INC.

© 2019 UO, Inc. All rights reserved, including all applicable copyright, design and patent rights. Any unauthorized reproduction, adaptation, distribution or other infringement will be prosecuted.

2. Insert shelf holders into the side panels as shown. Carefully lay the shelf onto the holders. Insert screws (2) through the holders into the bottom of the shelf.

FIGURE 02



EXCLUSIVE AND CONFIDENTIAL PROPERTY OF URBAN OUTFITTERS, INC.

© 2019 UO, Inc. All rights reserved, including all applicable copyright, design and patent rights. Any unauthorized reproduction, adaptation, distribution or other infringement will be prosecuted.

3. With help carefully lay the Marble Top (D) over onto a clean smooth surface. Carefully align the sinks (F) as shown. You may want to add a small bead of clear silicon caulking around the sink holes on the bottom of the marble top before aligning the sinks. Attach the "L" metal brackets to the sink. Insert bolt (3), Lock washer (4), and Flat washer (5). tighten with supplied hex key (6).  
**DO NOT OVERTIGHTEN AS THIS COULD DAMAGE THE SINK AND MARBLE.**

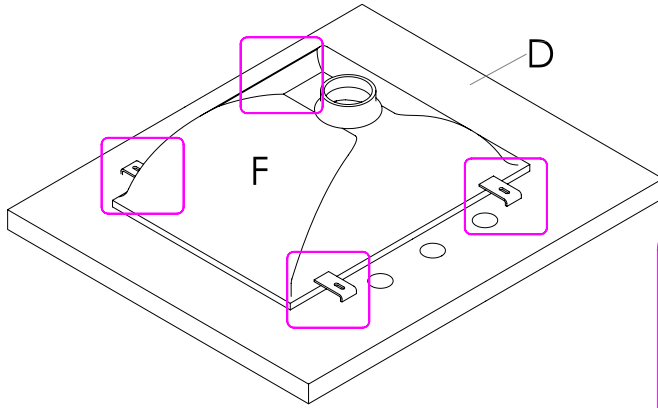
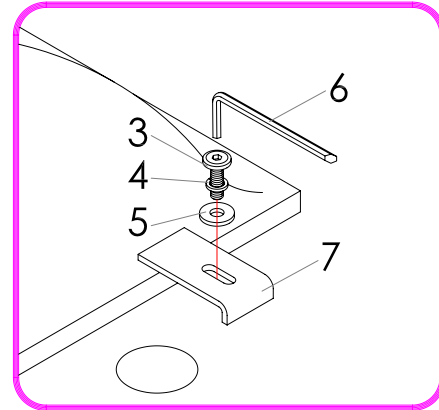
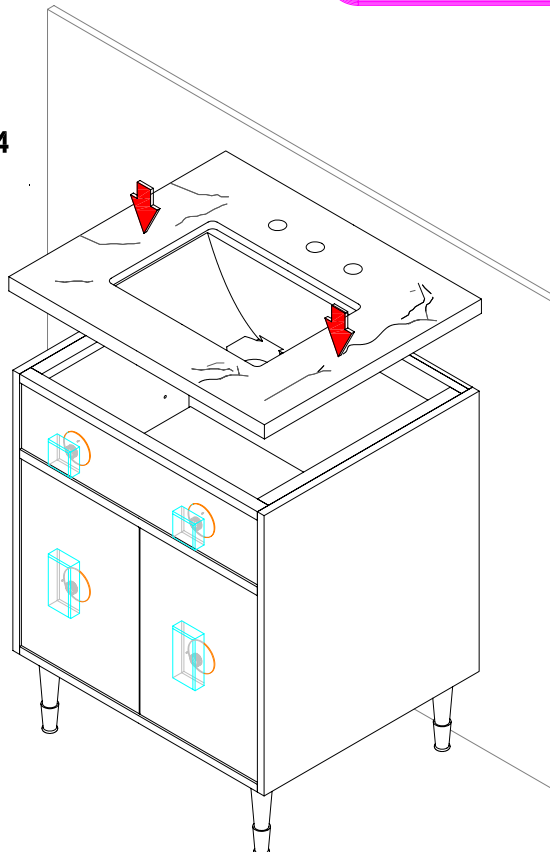


FIGURE 03



4. With help, carefully lay the marble top onto the vanity.

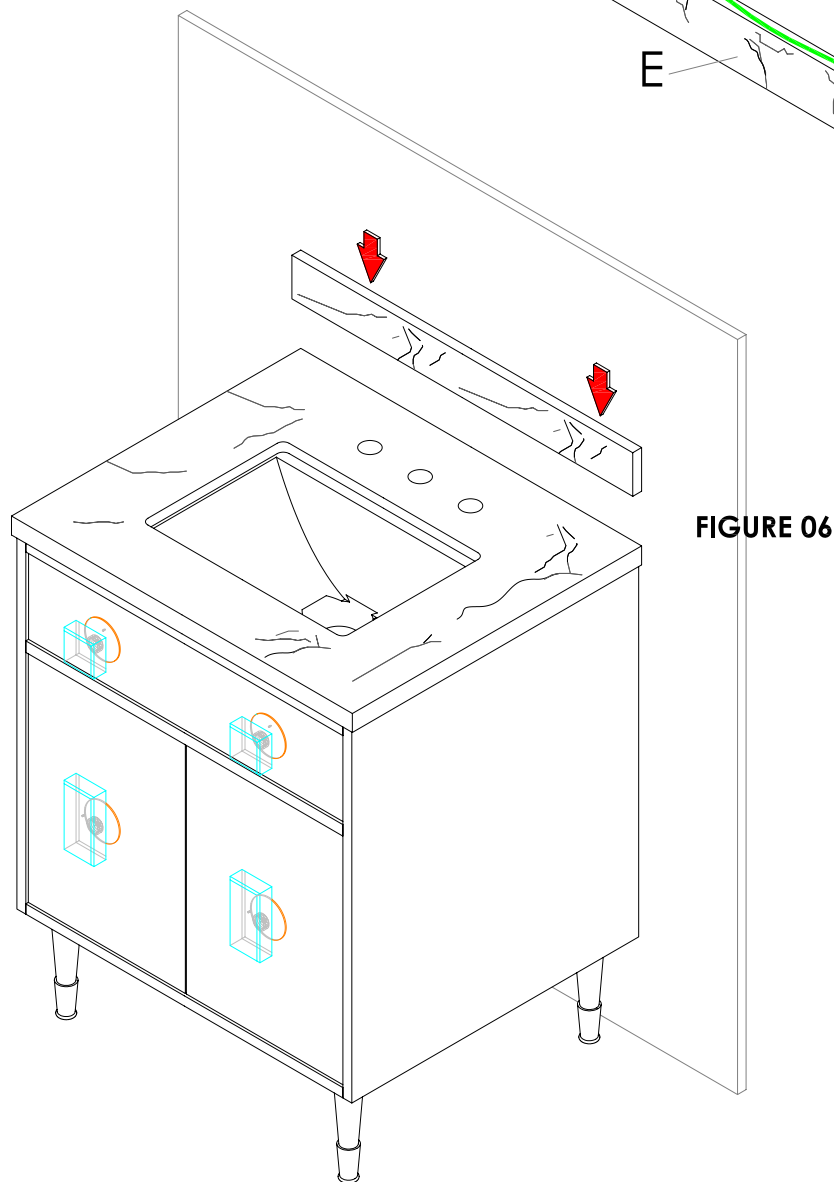
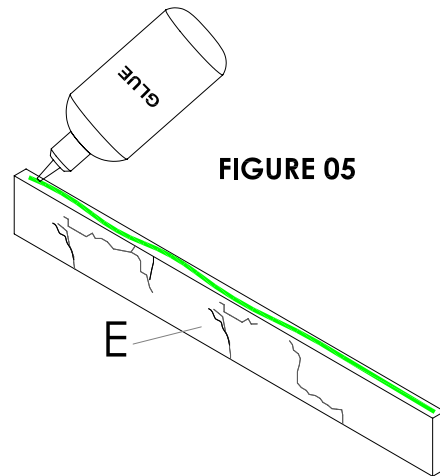
FIGURE 04



EXCLUSIVE AND CONFIDENTIAL PROPERTY OF URBAN OUTFITTERS, INC.

© 2019 UO, Inc. All rights reserved, including all applicable copyright, design and patent rights. Any unauthorized reproduction, adaptation, distribution or other infringement will be prosecuted.

5. Once the vanity is in place and plumbed to the house plumbing you can add the backsplash (E). Carefully apply a bead of caulk to the bottom edge of the backsplash and with help align it to the top of the vanity. Press firmly into place and wipe off any caulk that squeezes out. Use the cleaning directions on your caulk.



EXCLUSIVE AND CONFIDENTIAL PROPERTY OF URBAN OUTFITTERS, INC.

© 2019 UO, Inc. All rights reserved, including all applicable copyright, design and patent rights. Any unauthorized reproduction, adaptation, distribution or other infringement will be prosecuted.