

# HALF ROUND LOG HOLDER

*terrain*

## Assembly Instructions

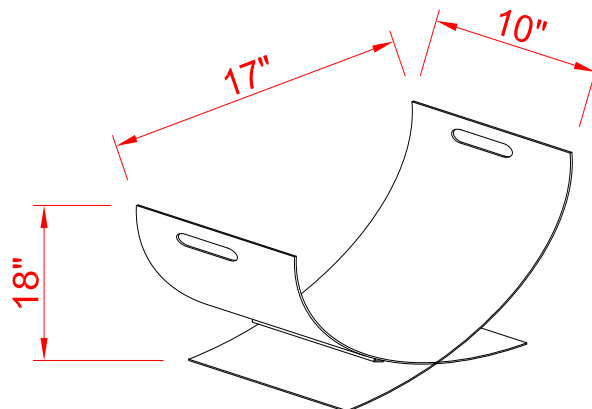
TOOLS REQUIRED BUT NOT INCLUDED: None

### WARNINGS:

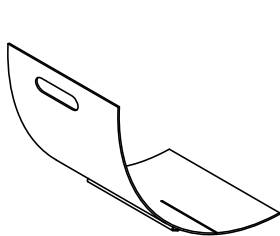
Do not throw away packing materials and carton until after assembly.  
Ensure all parts are present prior to assembly.  
Contact customer service immediately if parts are missing.  
Assemble all parts on a clean smooth surface.  
Do not drag on easily damaged surfaces.

### CARE INSTRUCTIONS:

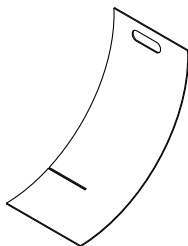
Avoid direct exposure to sunlight.  
Do not place over heat or air conditioning vents.  
Blot spills with a clean white cloth, do not rub.  
Do not use harsh chemicals.  
Before cleaning any part test a small spot in a hidden area.



### PARTS INCLUDED:



A) Left Side Panel x1



B) Right Side Panel x1

### STEP 1

Align the slots in Left Side Panel (A) and Right Side Panel (B) then, slide the panels together as shown below.

