

SHOREHAM TEAK ROUND COFFEE TABLE

terrain

Assembly Instructions

TOOLS REQUIRED BUT NOT INCLUDED: N/A

Do not throw away packing materials and carton until after assembly.

Assemble all parts on a clean smooth surface

CARE INSTRUCTIONS:

Avoid direct exposure to sunlight. Do not place overheat or air conditioning vents.

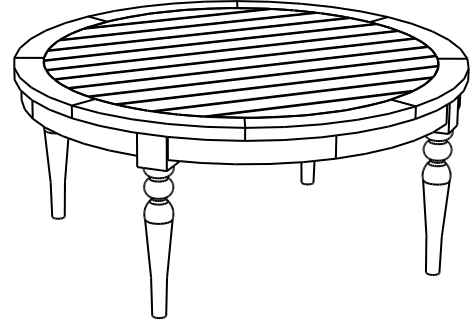
Adjust levelers so that the furniture sits flat on uneven floors.

Blot spills do not rub, with a clean white cloth.

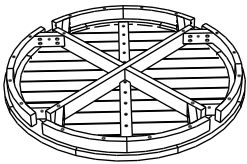
Do not use harsh chemicals.

Before cleaning any part test a small spot in a hidden area.

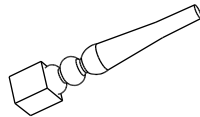
You may need to re-tighten all bolts after initial use.



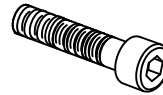
PARTS INCLUDED:



(A) Wooden Table Top
x1



(B) Wooden Leg
x4



(C) Bolt M8x60mm
x8



(D) Flat Washer
x8



(E) Hex Key M4
x1

SHOREHAM TEAK ROUND COFFEE TABLE

Assembly Instructions

terrain

STEP 1

Fix leg B onto the Table Top A with bolt C and washer D using Hex key E.

